

Meat Mincer\Grater Meat Mincer\Grater - 12 S/S Mincing Unit

ITEM # _____

MODEL # _____

NAME # _____

SIS # _____

AIA # _____


603539 (MMG12)

 Meat Mincer\Grater - 12 S/S
 Mincing Unit - 400V/3/50

Short Form Specification

Item No. _____

Stainless steel mincing unit and body in die-cast aluminium. Microswitch positioned on the handle prevents accidental contact. Protection grill is positioned beneath the grating cylinder and in front of the shredder attachment, to avoid accidental contact. Removable grinding unit for easier cleaning. 70mm plate diameter.

GRATER: Motor speed up to 1400 rpm. Steel roller and stainless steel collection container. Suitable for grating bread, cheese or nuts. Output: 50 Kg cheese/hour and 100 Kg bread/hour.

MEAT MINCER: Motor speed up to 200 rpm. Chopper end, feed pan, collecting container, plate and self-sharpening knife in stainless steel. Output: 200 Kg meat/hour.

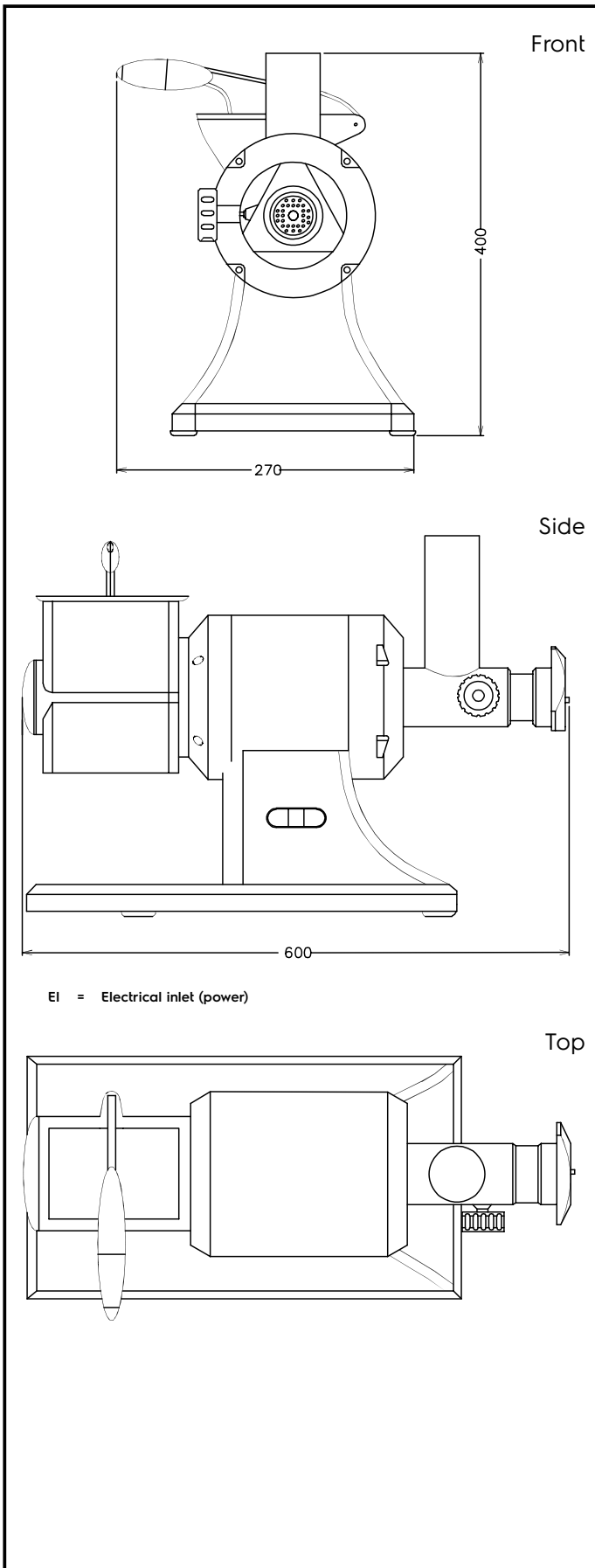
Main Features

- Suitable also for grating bread, cheese or nuts.
- Microswitch on handle to avoid accidental contact.
- Protection grill under the grating cylinder, in front of the shredder attachment for further protection against accidental contact.
- Helical oil bath gear motor protected by a thermal fuse.
- Easily removable grinding unit for simple cleaning.
- Plate diameter of 70 mm and 12 type attachment.

Construction

- Die-cast aluminum body with 304 AISI stainless steel mincing unit, plate, self-sharpening knife, funnel and connection container.
- Grater motor speed up to 1400 rpm.
- Up to 200 rpm screw revolution.
- Stainless steel roller, plastic pusher and collection container included as standard.

APPROVAL: _____



Electric

Supply voltage:	
603539 (MMG12)	400 V/3N ph/50 Hz
Total Watts:	0.75 kW

Key Information:

External dimensions, Width:	270 mm
External dimensions, Depth:	600 mm
External dimensions, Height:	400 mm
Shipping weight:	21 kg
Meat mincer productivity:	150-200 kg/h
Meat mincer loading hopper dimensions:	275 x 200 x 50 mm
Meat mincer collecting tray dimensions:	235 x 196 x 50
Grater cheese productivity:	50 kg/h
Grater bread productivity:	100 kg/h
Grater collecting tray dimensions:	∅ 230 x h 100 mm
Grater outlet dimensions:	95 x 145 x 75 mm